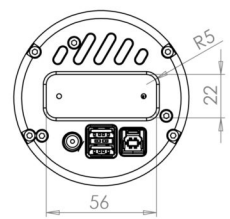
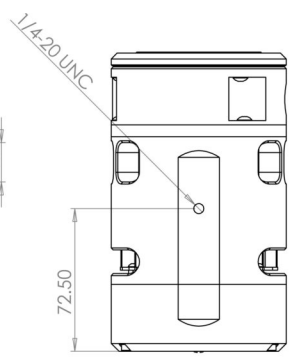
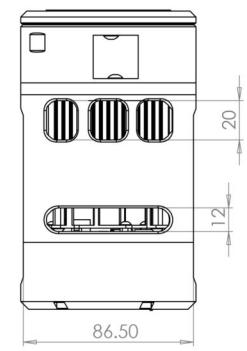
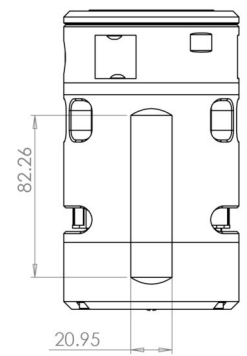
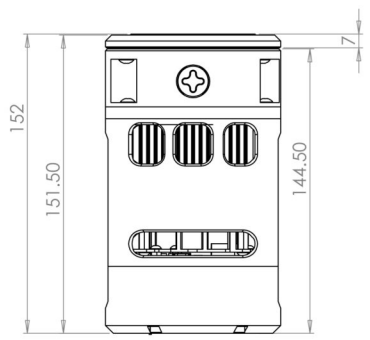
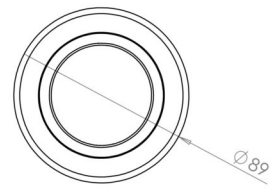




# Apx26 Mechanical Drawing



TITLE  
Apx26

DESCRIPTION

REVISION	NAME	REVISION NOTES	DATE	SURFACE AREA	
01				mm2	
				OVERALL DIMENSIONS	SCALE:1:2
				DIMENSIONS ARE IN mm	
				DEBURR AND BREAK SHARP EDGES	
				TOLERANCE UNLESS OTHERWISE SPECIFIED	
				0-30mm	31-100mm
				101-300mm	ANGULAR
				0.15	0.2
				0.4	1°
				DO NOT SCALE DRAWING	SHEET 1 OF 1

B

A